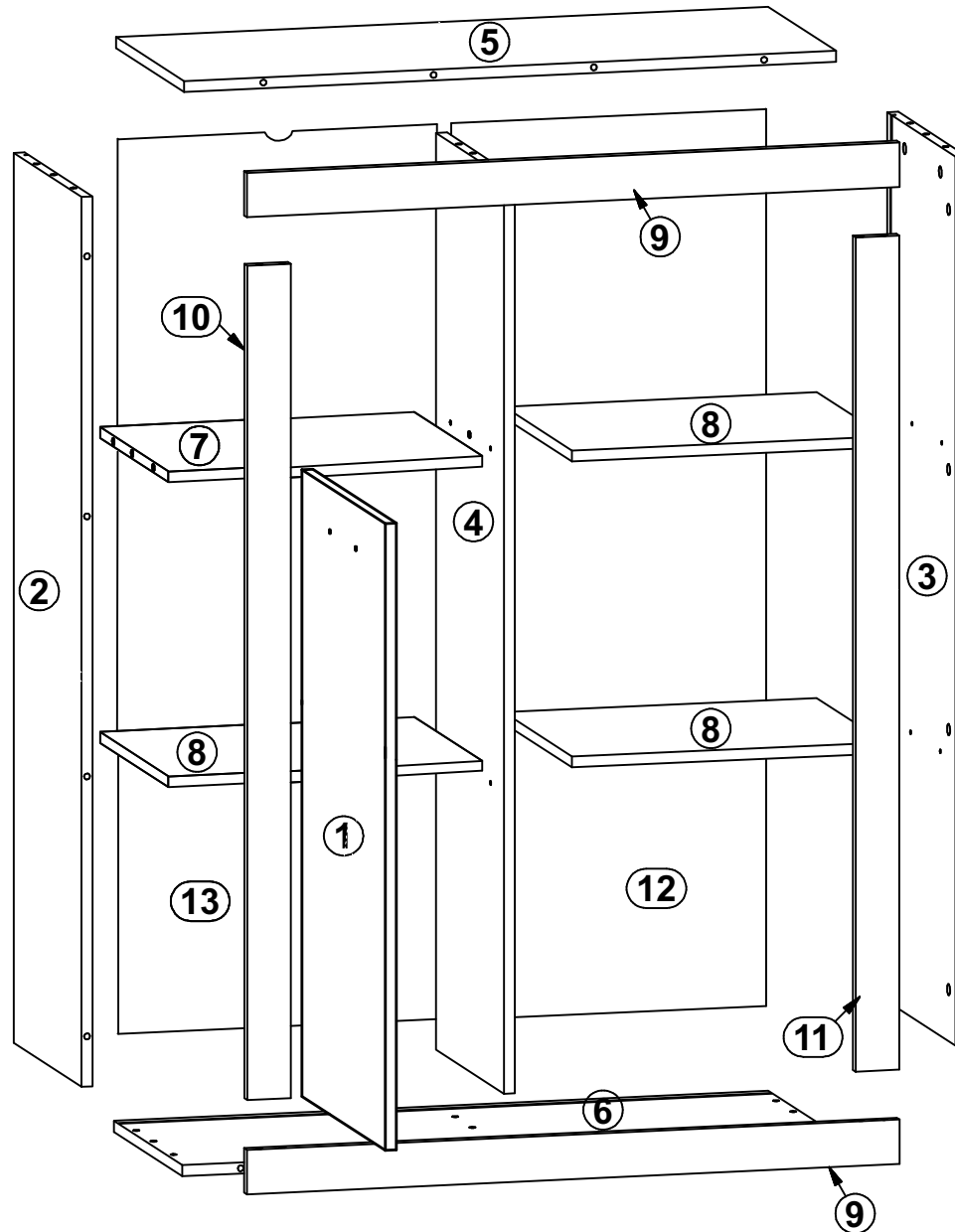
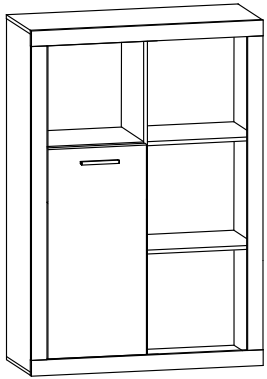


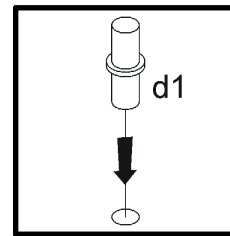
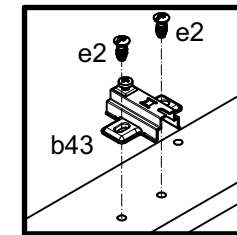
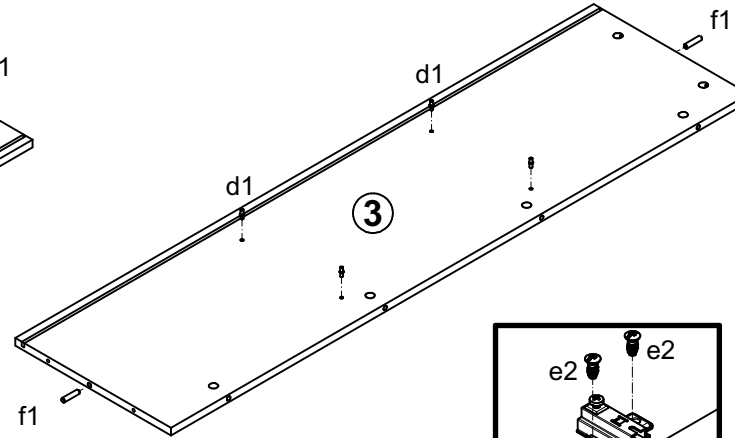
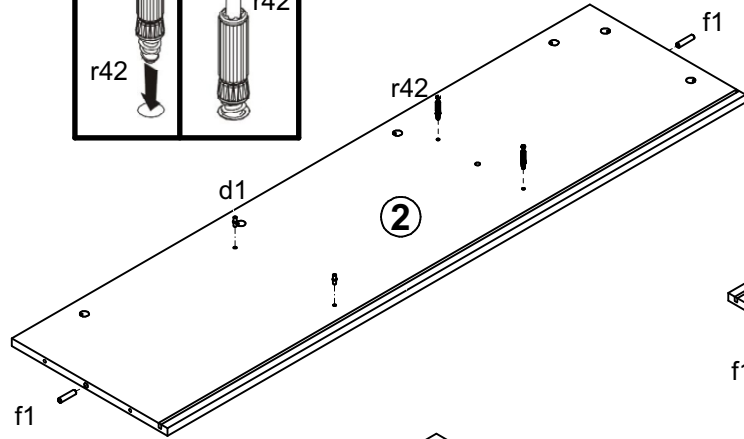
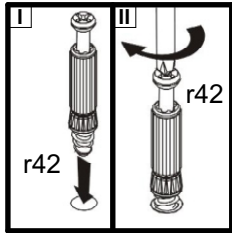
8x a99	2x a44	2x b19	8x b43	5x c235	16x d1	8x d3	28x e1	22x e2	4x e5	4x e4	32x f1	20x f6
6x f35	2x g2	11x k43	12x l1	52x l2	2x m3	23x n108	2x n122	2x o1	6x p1	8x p9	4x p21	2x p59
20x p51	23x p55	4x p75	85x r1	85x r42	4x s1	26x s2	2x s67	1x z1	2x n14	2x p17	4x p38	



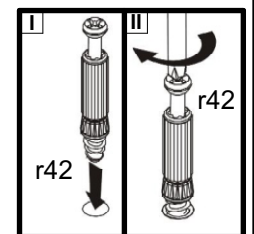
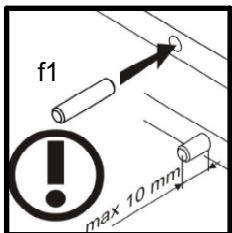
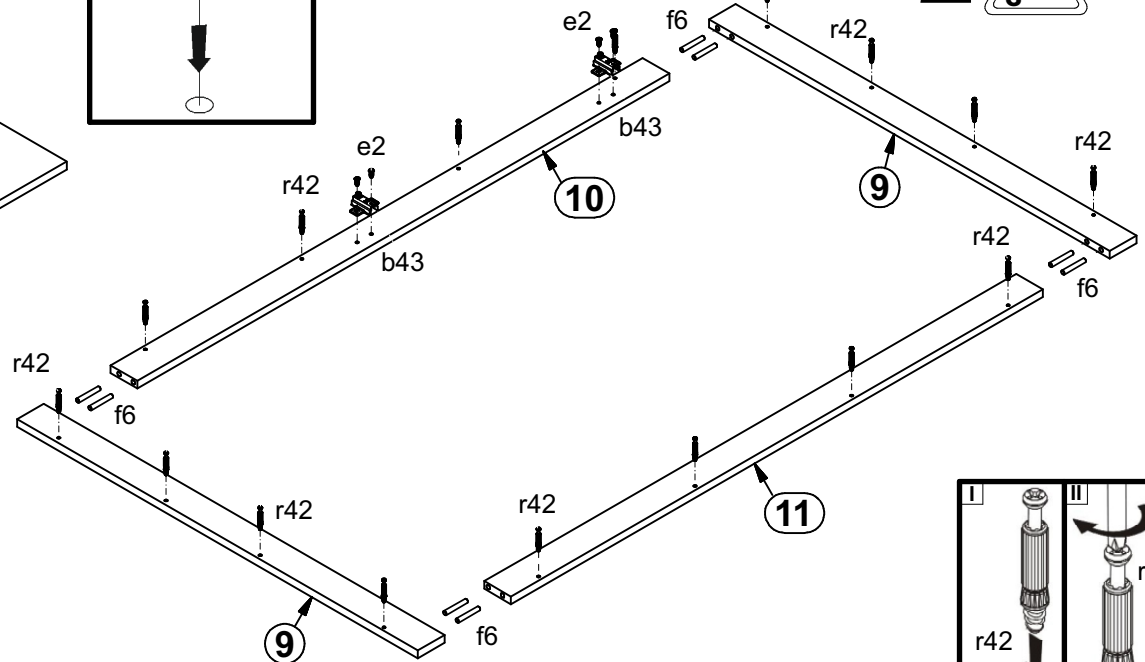
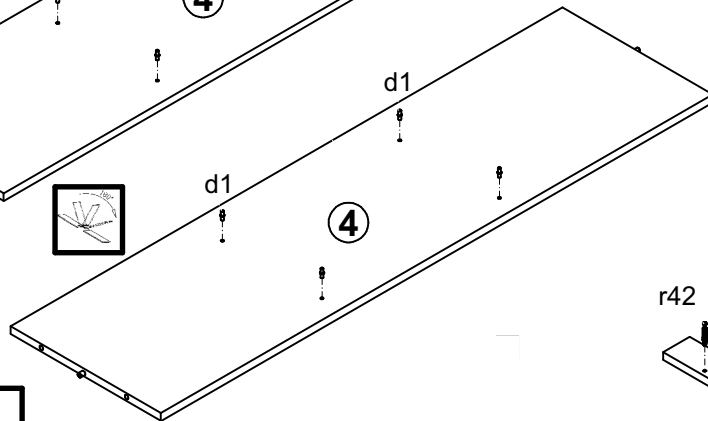
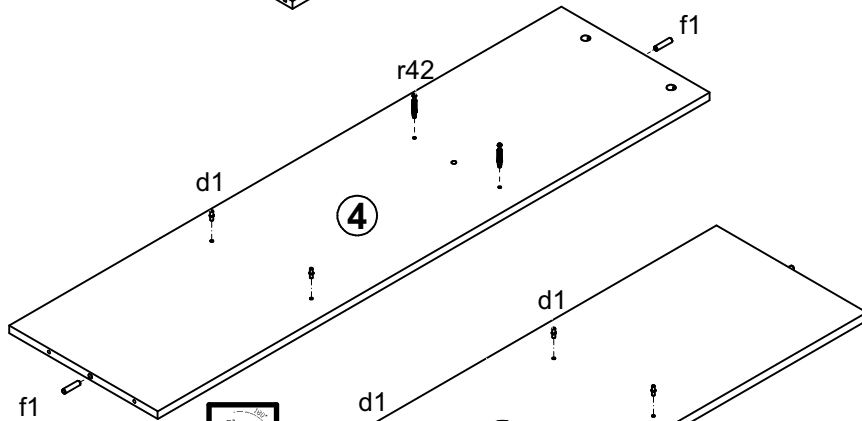
A	B	C (mm)		D
1	N17-003	740	335	3/4
2	N17-105	1160	320	3/4
3	N17-106	1160	320	3/4
4	N17-107	1160	300	3/4
5	N17-203	799	320	3/4
6	N17-204	799	320	3/4
7	N17-303	375	300	3/4
8	N17-304	375	300	3/4
9	N17-504	800	60	3/4
10	N17-505	1073	60	3/4
11	N17-506	1073	60	3/4
12	N17-902	1170	387	3/4
13	N17-903	1170	387	3/4



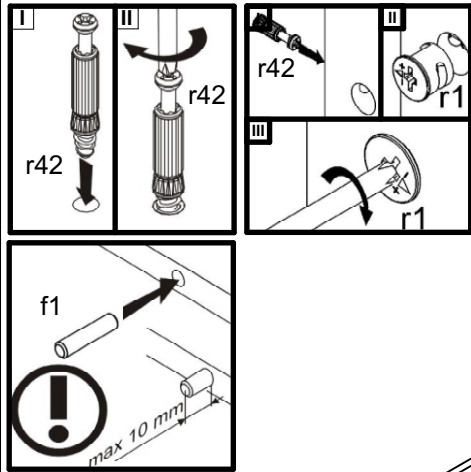
1 



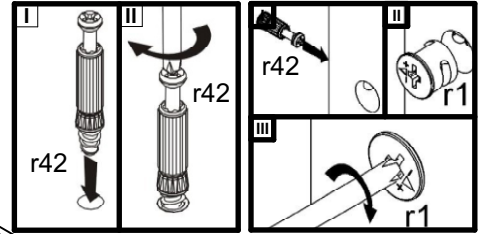
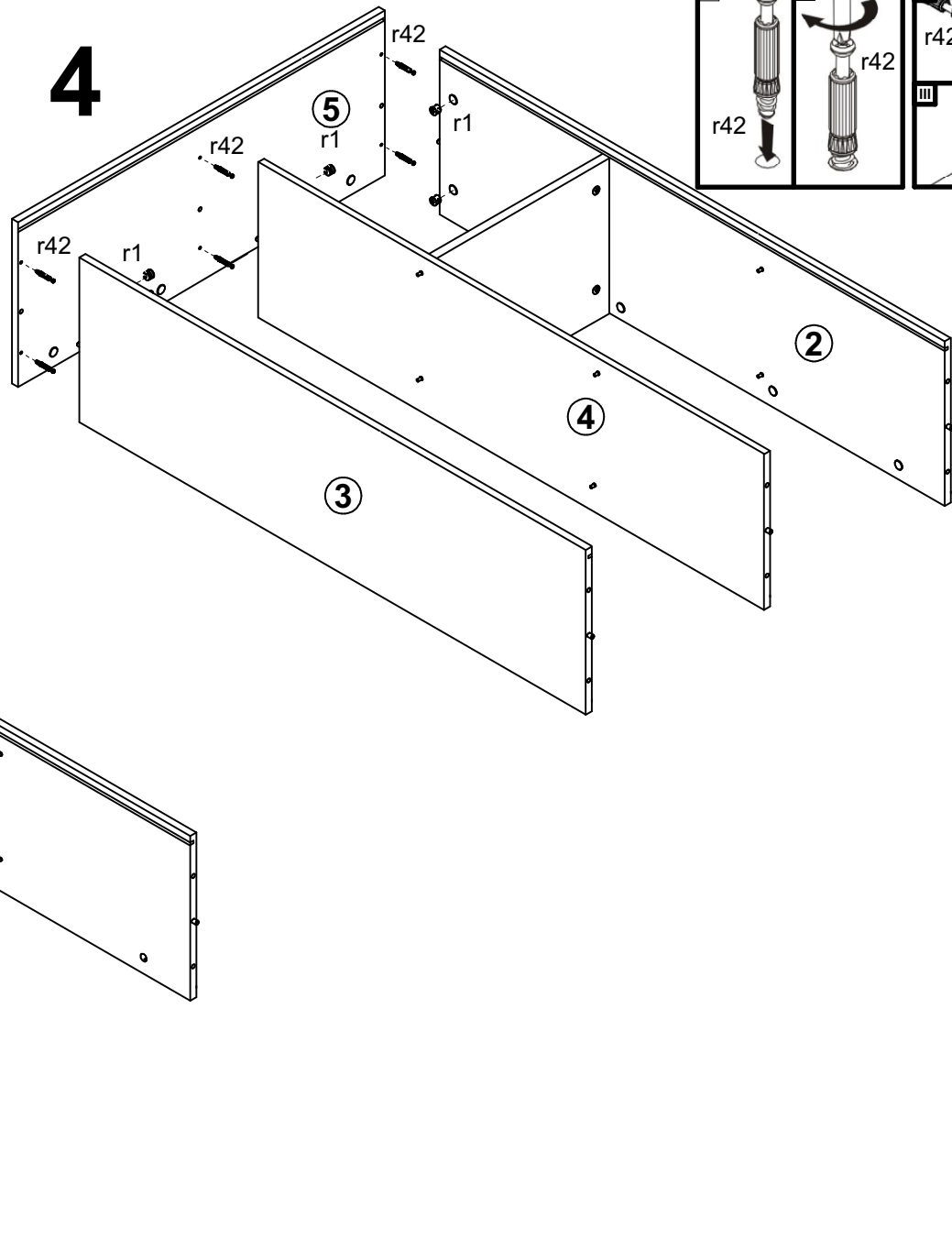
2 

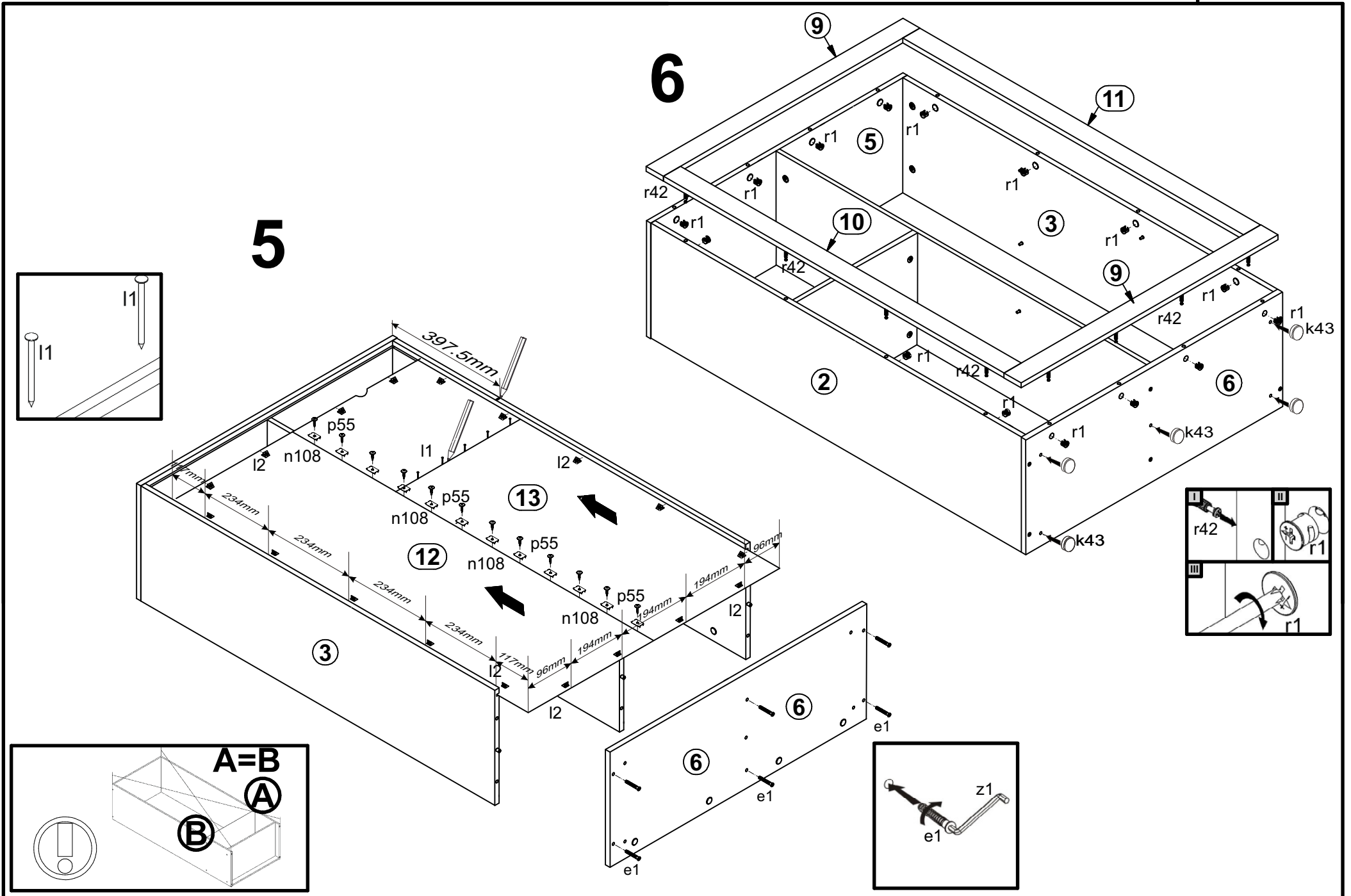


3

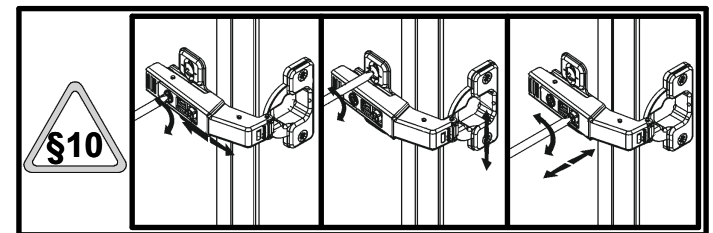
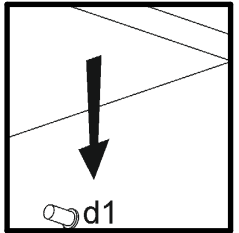
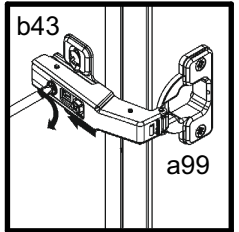
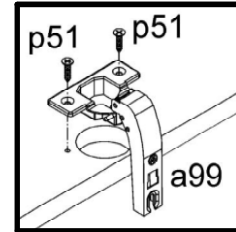
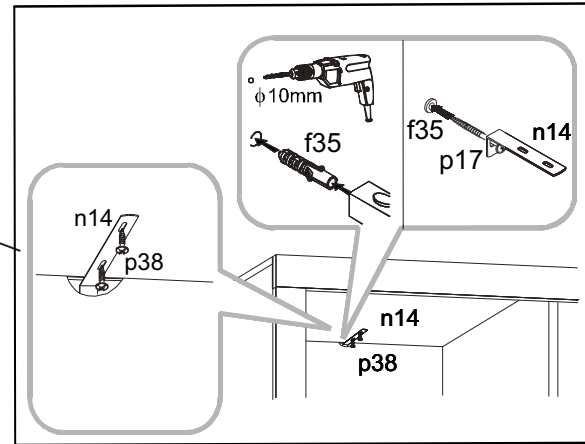
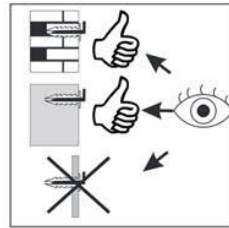
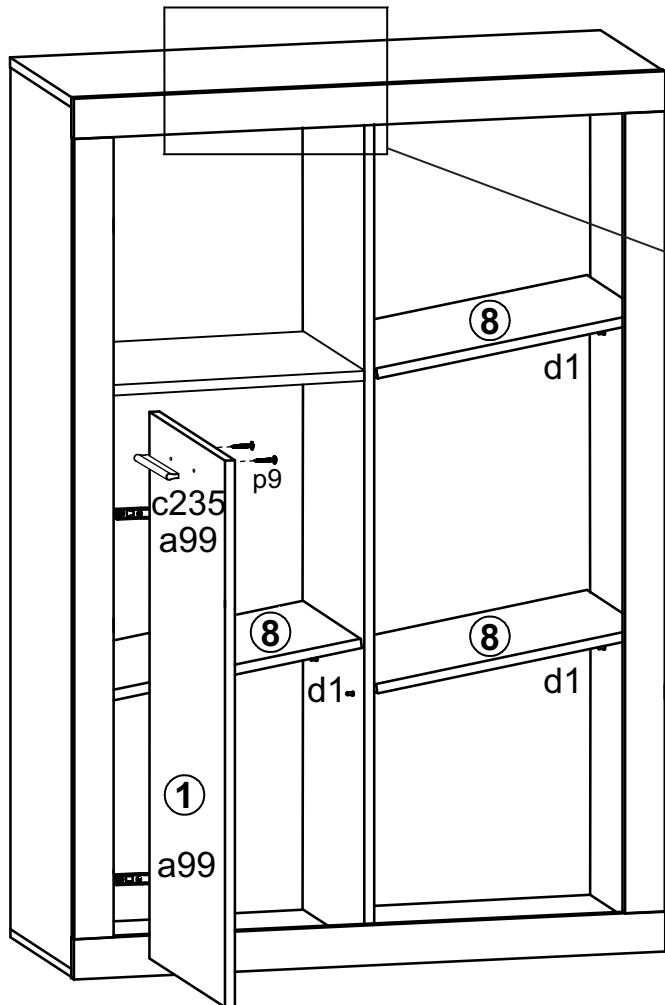


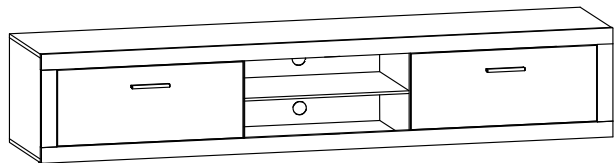
4



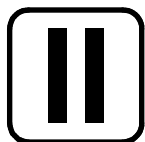
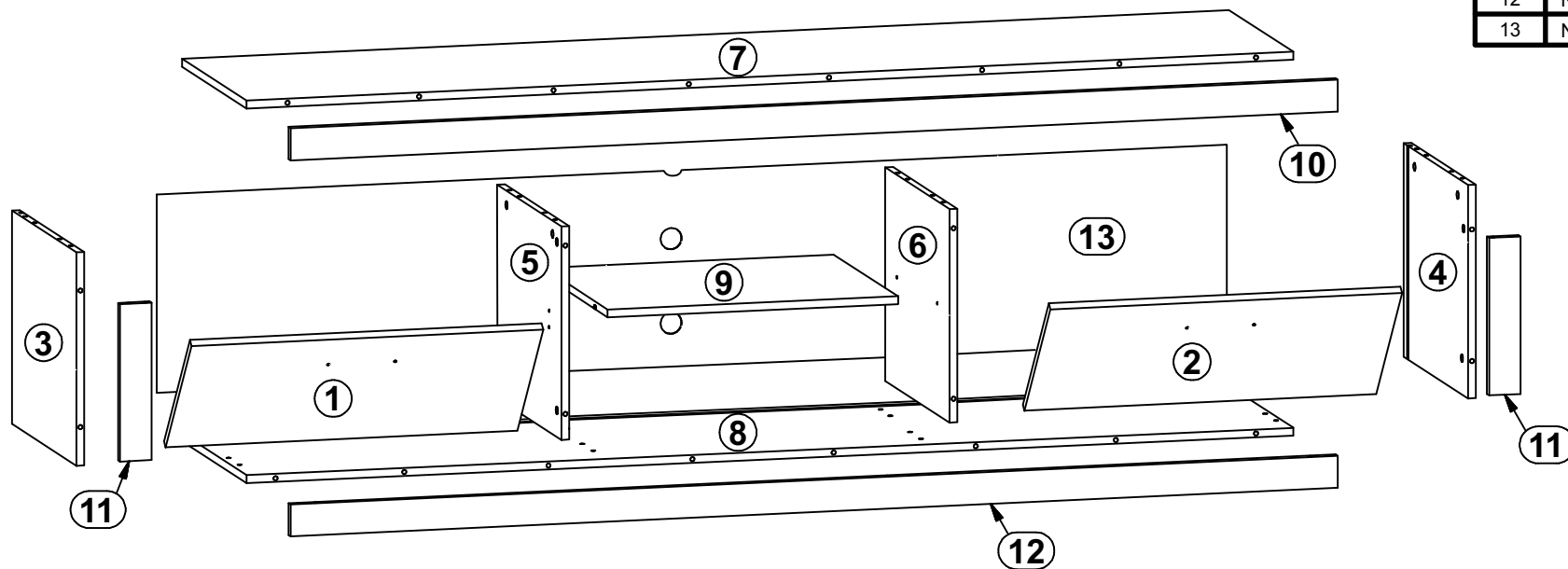


7

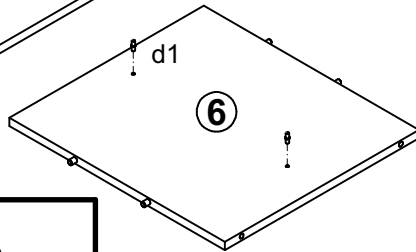
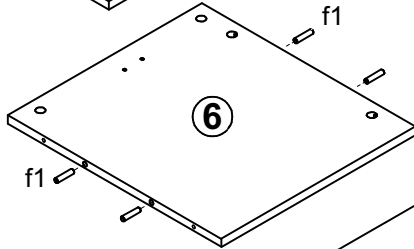
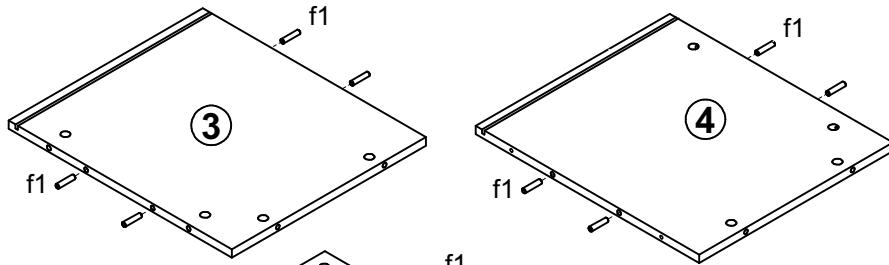




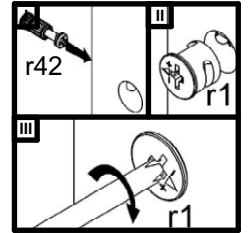
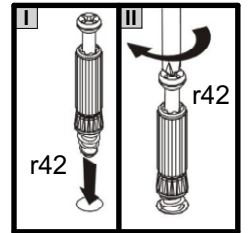
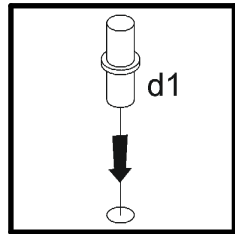
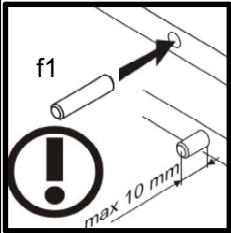
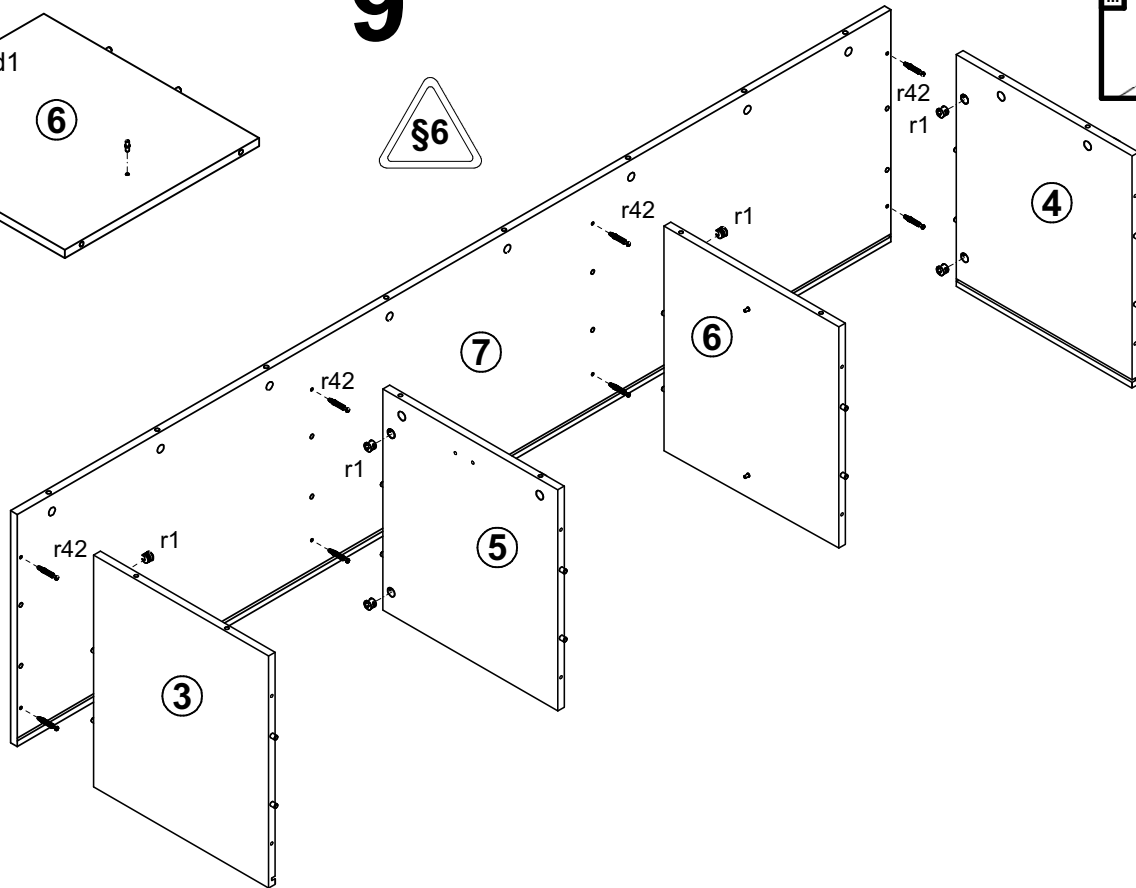
A	B	C (mm)		D
1	N17-001	600	267	1/4
2	N17-002	600	267	1/4
3	N17-101	360	380	2/4
4	N17-102	360	380	2/4
5	N17-103	360	360	2/4
6	N17-104	360	360	2/4
7	N17-201	1899	380	1/4
8	N17-202	1899	380	1/4
9	N17-302	558	360	1/4
10	N17-501	1900	60	1/4
11	N17-502	273	60	1/4
12	N17-503	1900	60	1/4
13	N17-901	1876	370	1/4



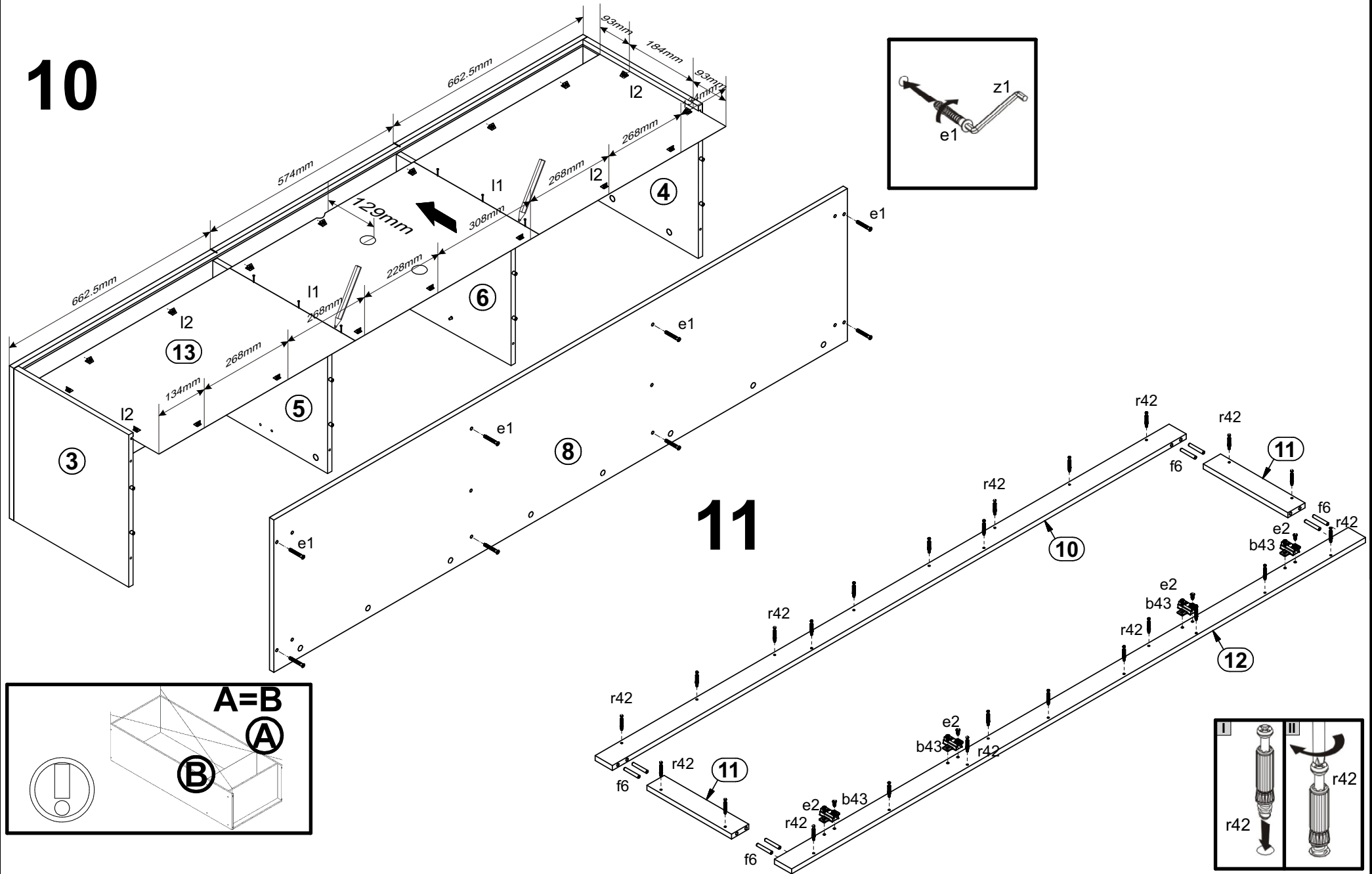
8



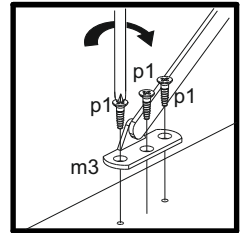
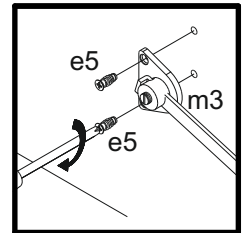
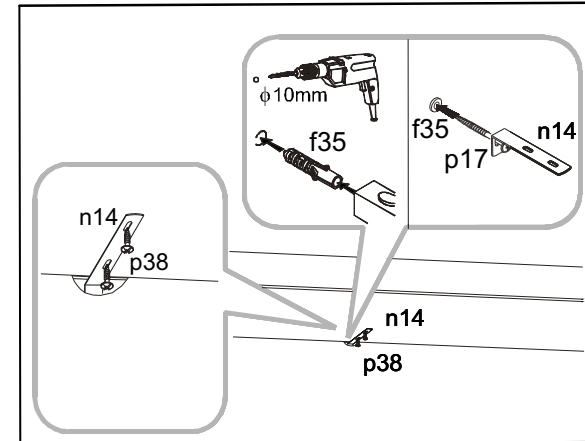
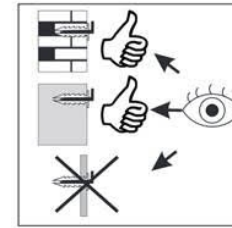
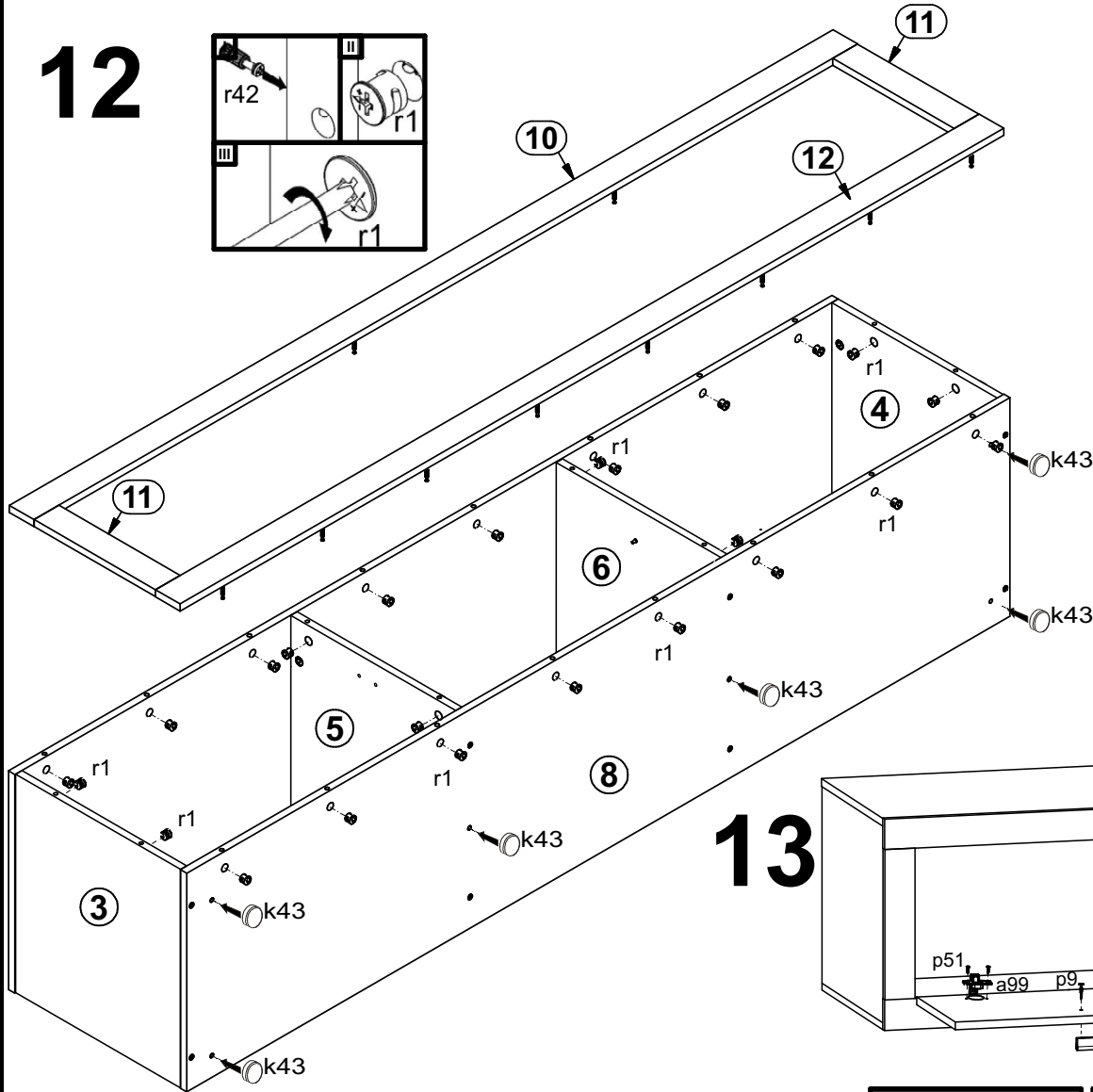
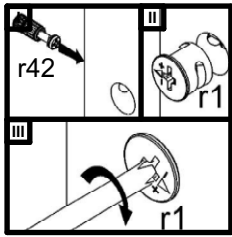
9



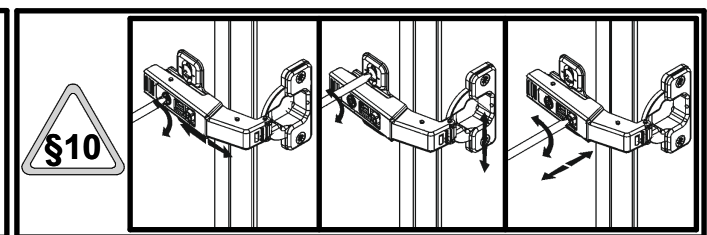
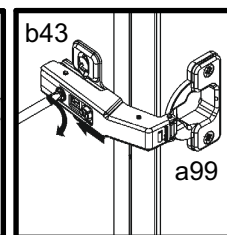
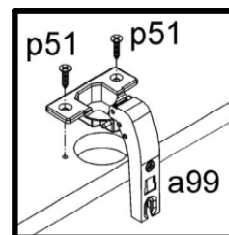
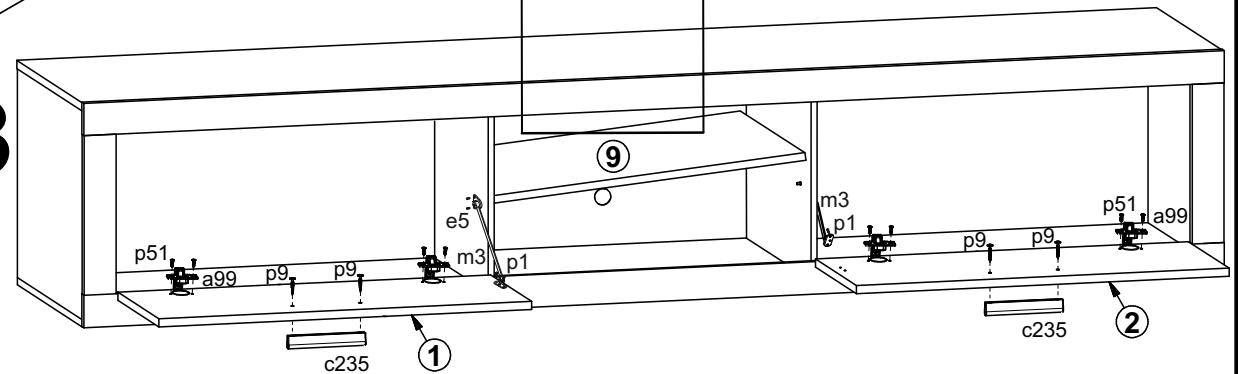
10

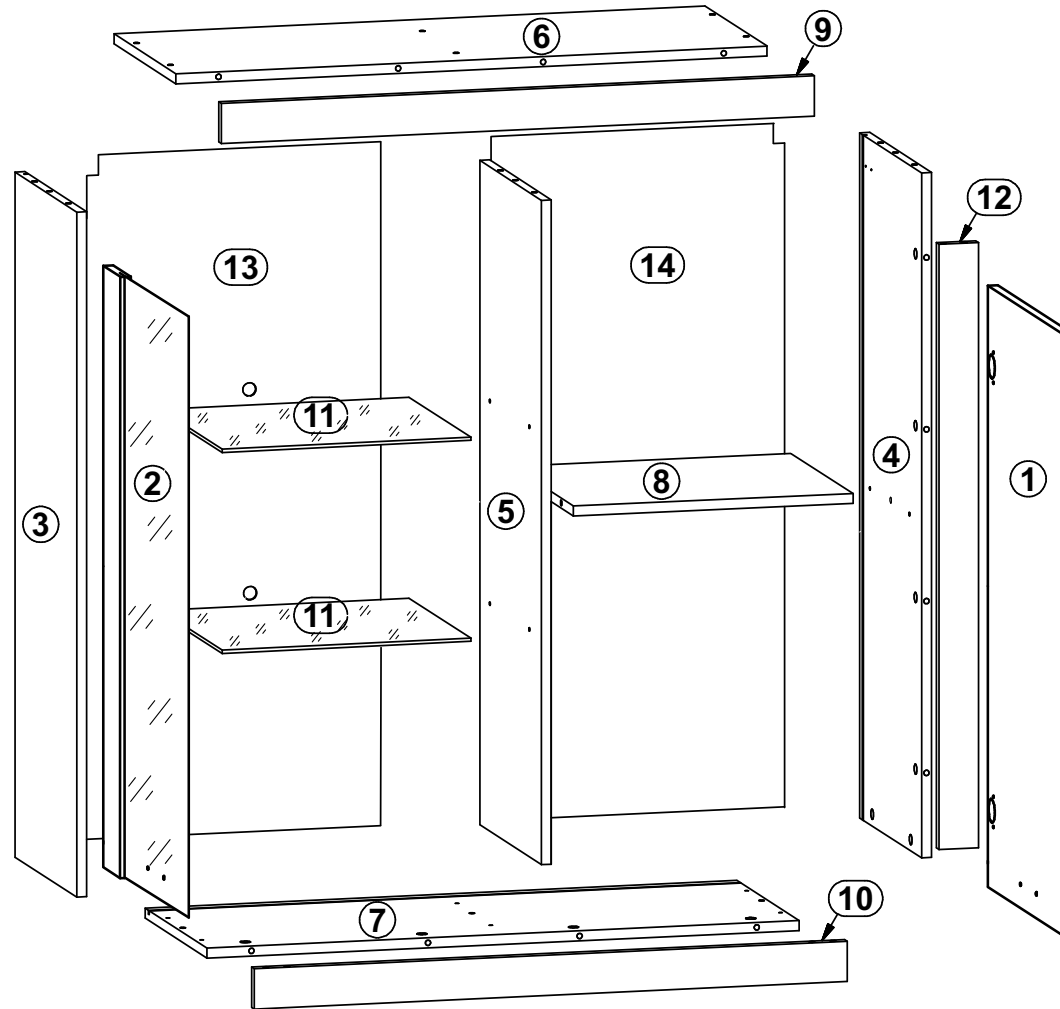


12

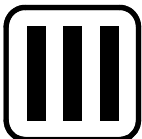


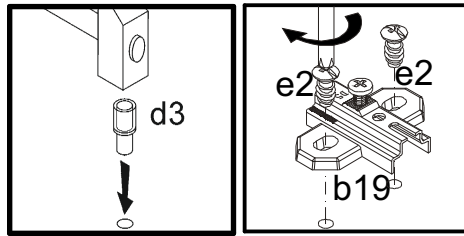
13



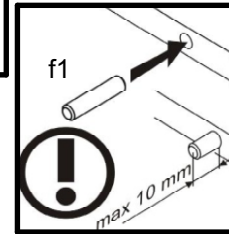
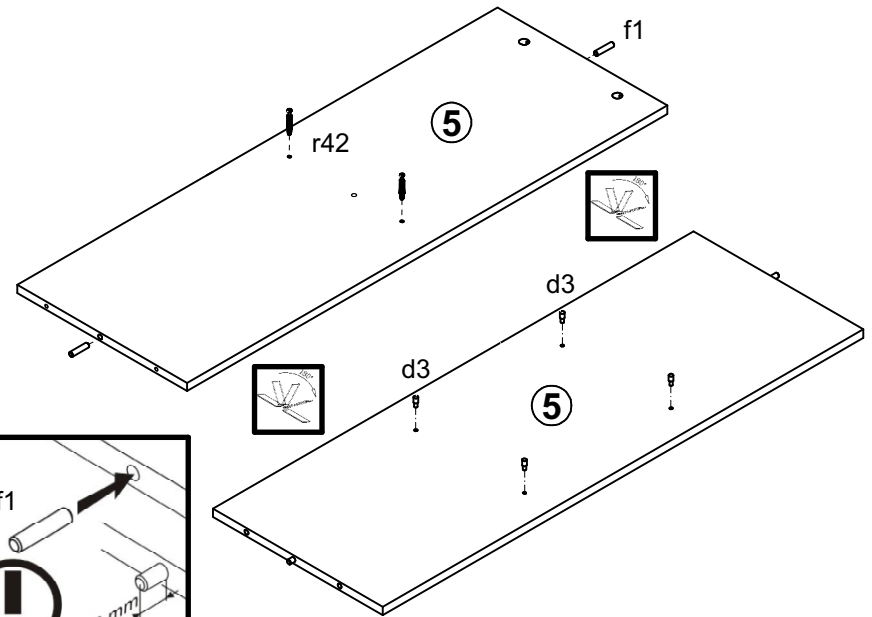
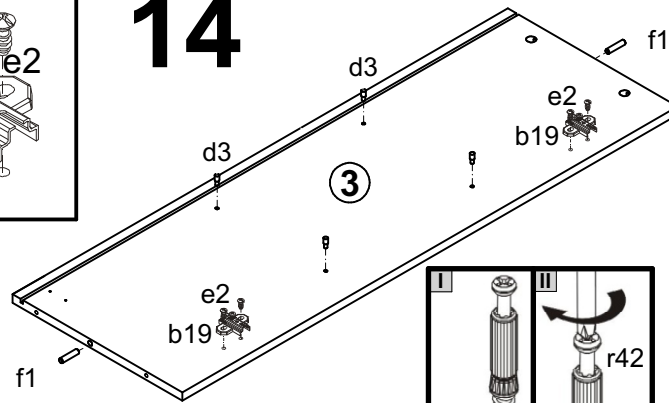


A	B	C (mm)		D
1	N17-004	875	335	4/4
2	N17-005	875	335	4/4
3	N17-108	968	284	4/4
4	N17-109	968	284	4/4
5	N17-110	968	264	4/4
6	N17-205	799	284	4/4
7	N17-206	799	284	4/4
8	N17-307	375	264	4/4
9	N17-511	800	60	4/4
10	N17-512	800	60	4/4
11	N17-514A	374	256	4/4
12	N17-516	881	60	4/4
13	N17-904	978	387	4/4
14	N17-906	978	387	4/4

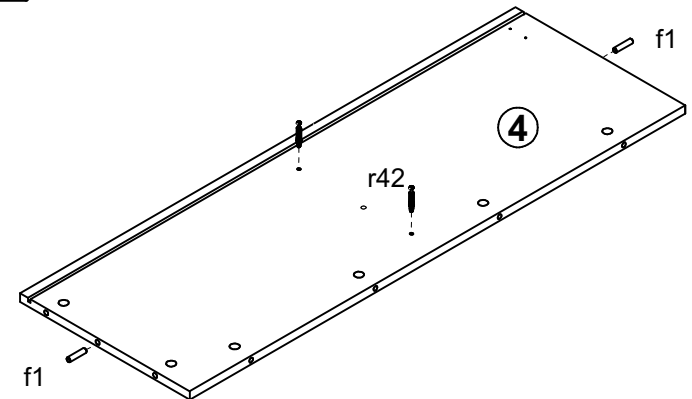
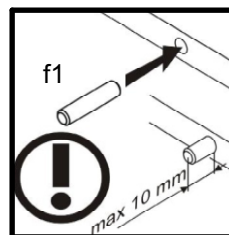
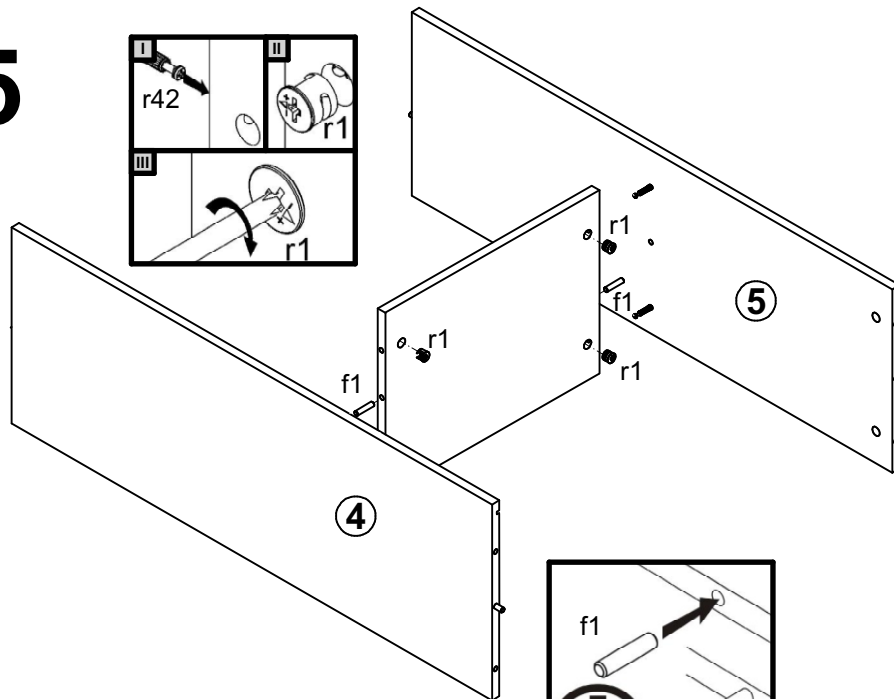
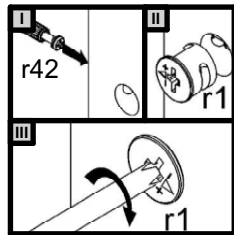




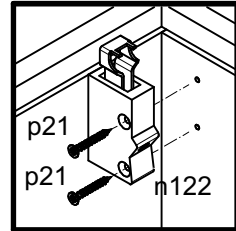
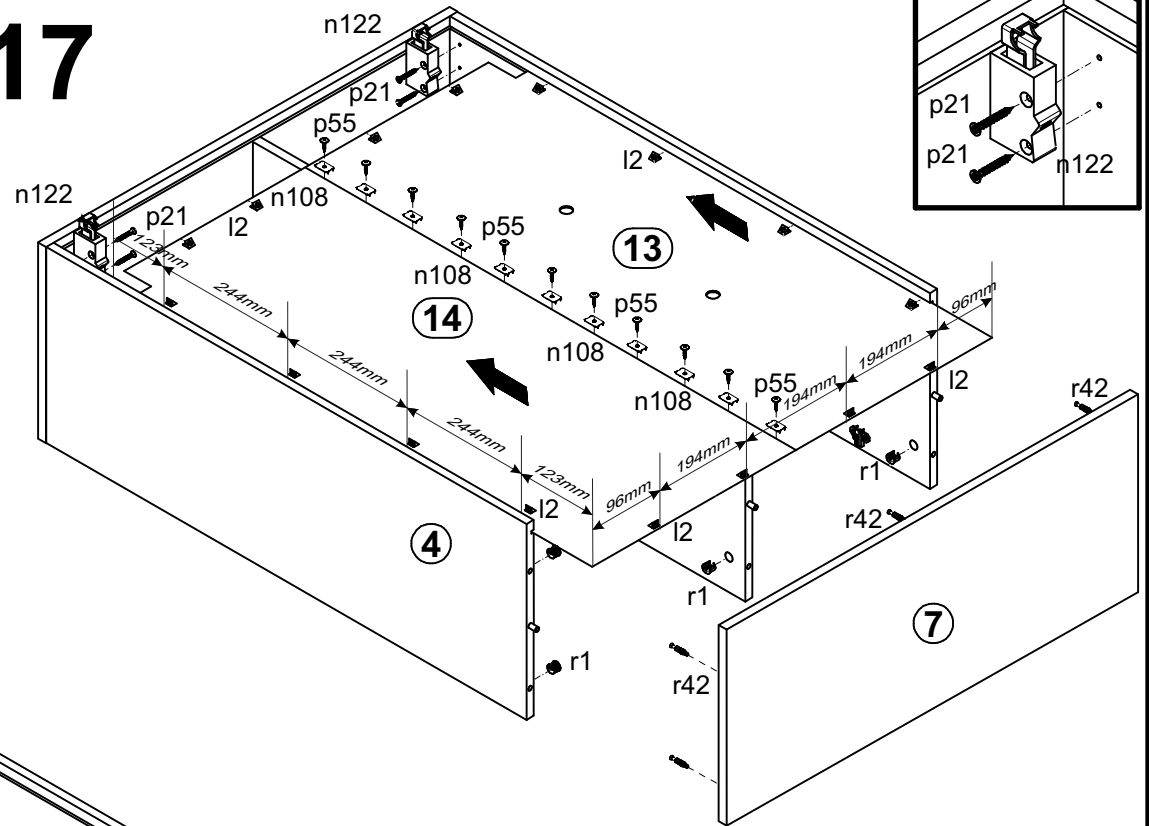
14



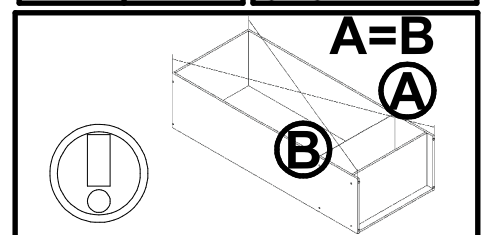
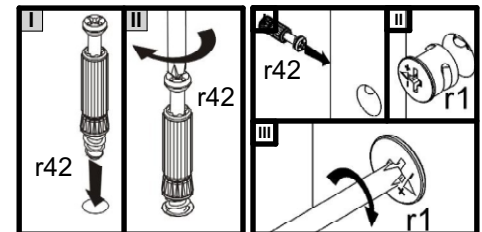
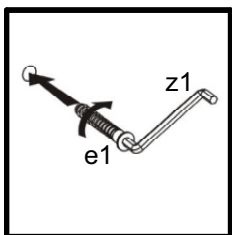
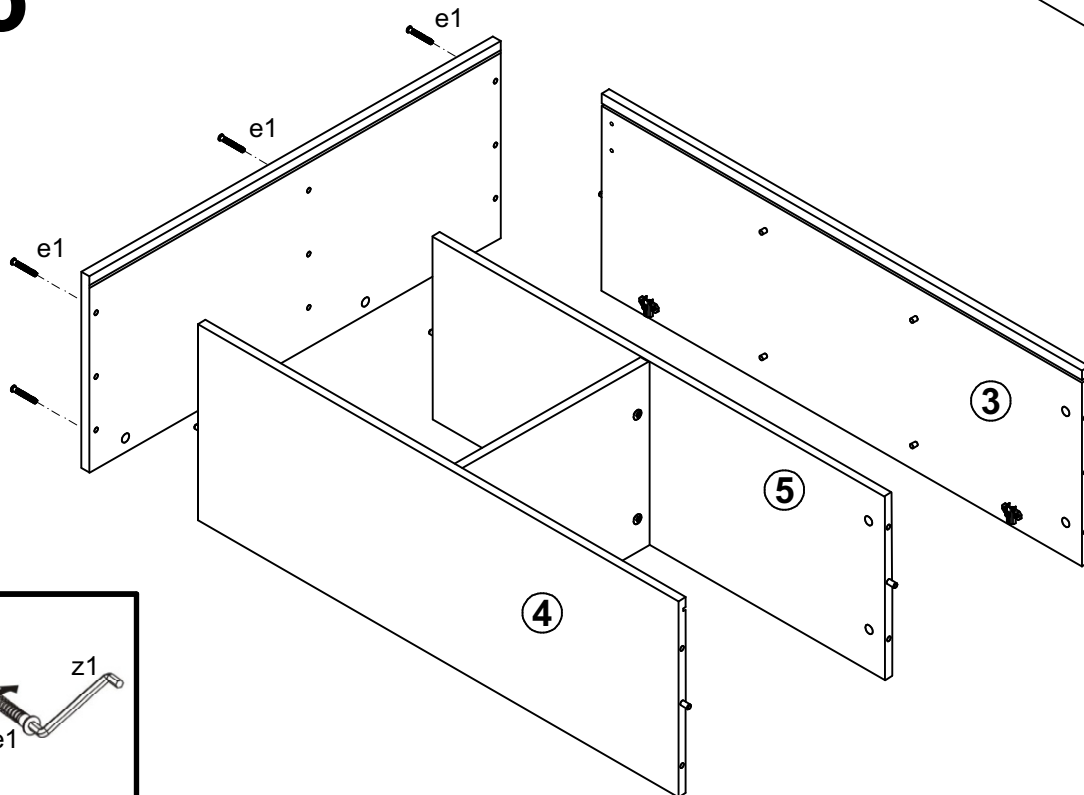
15

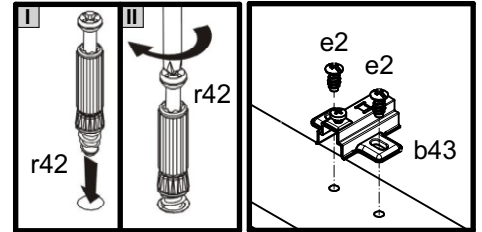


17

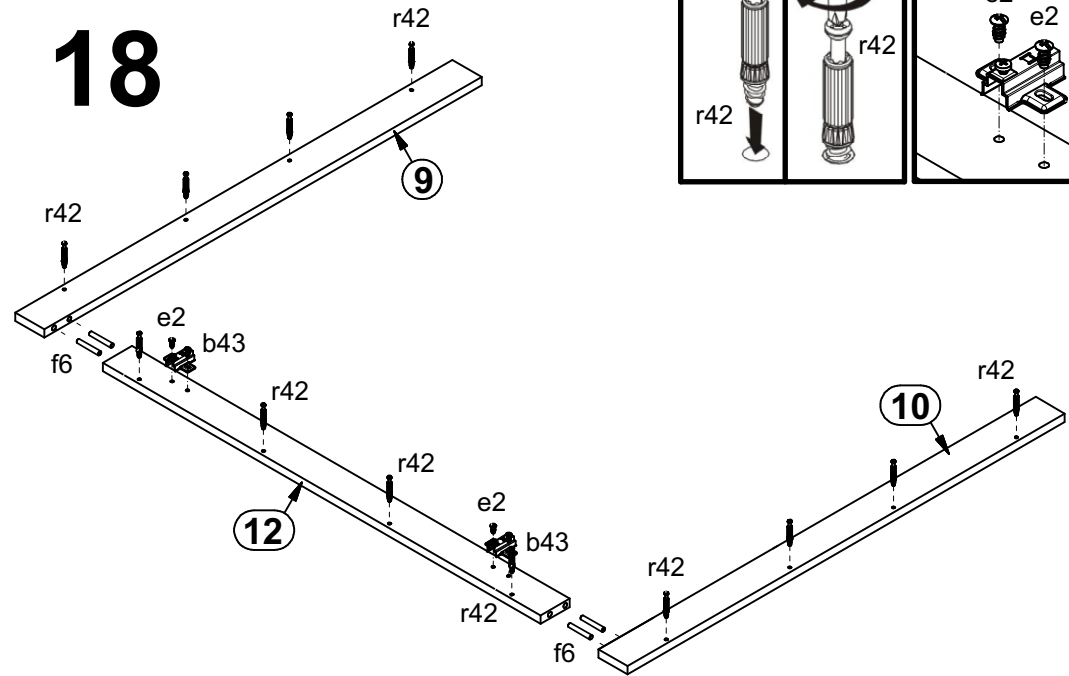


16

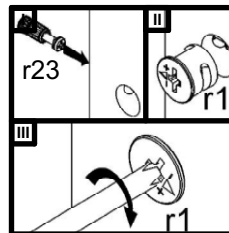
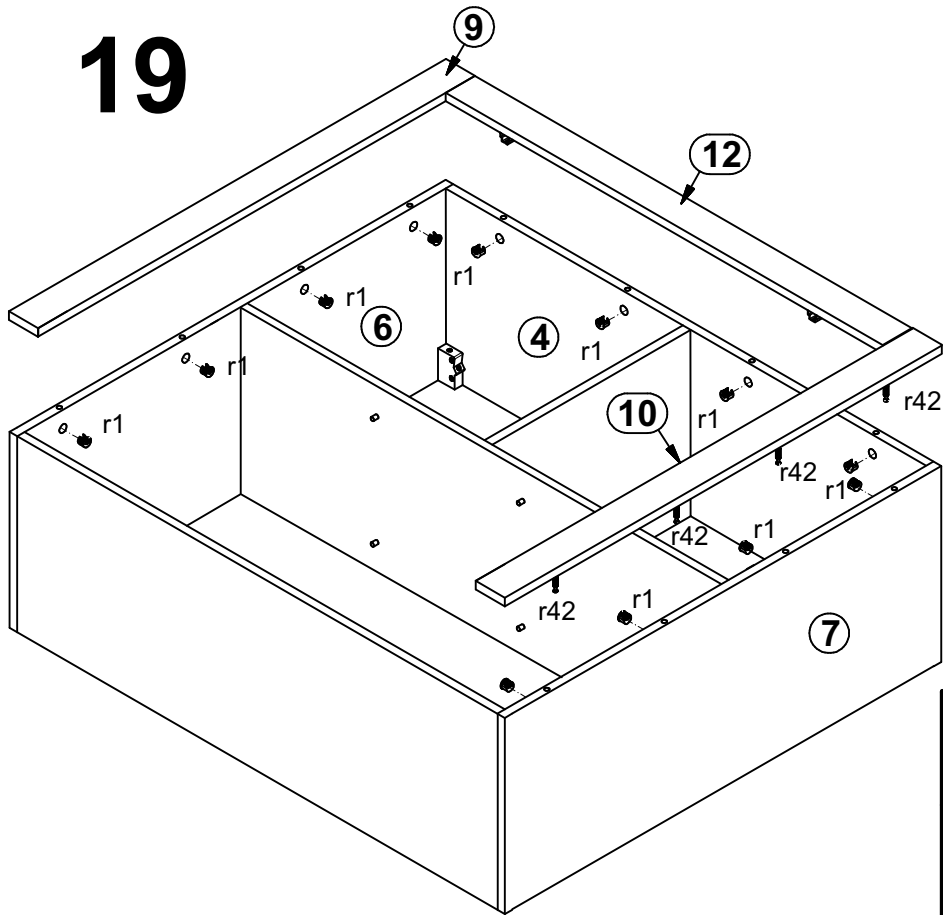




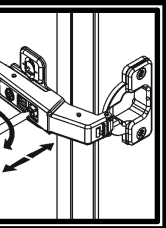
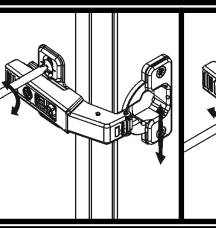
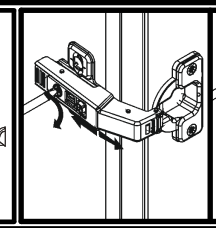
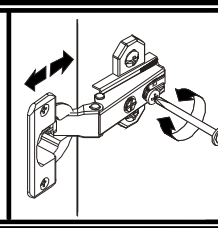
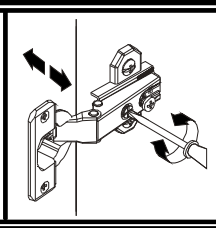
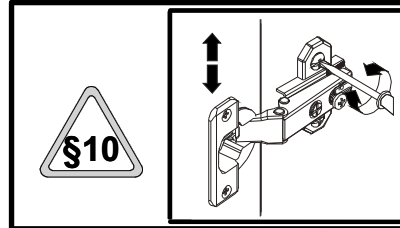
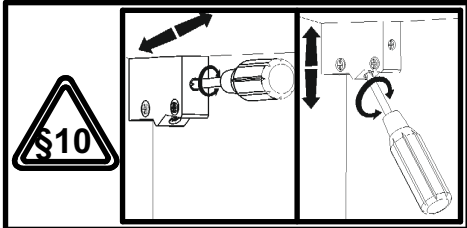
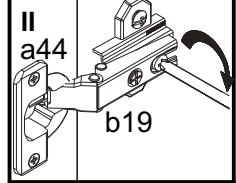
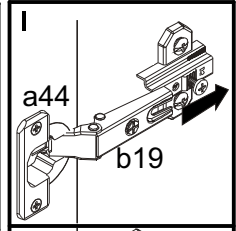
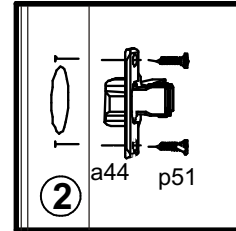
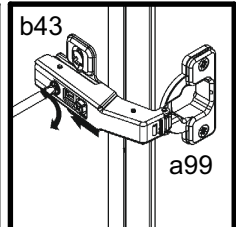
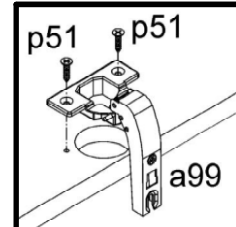
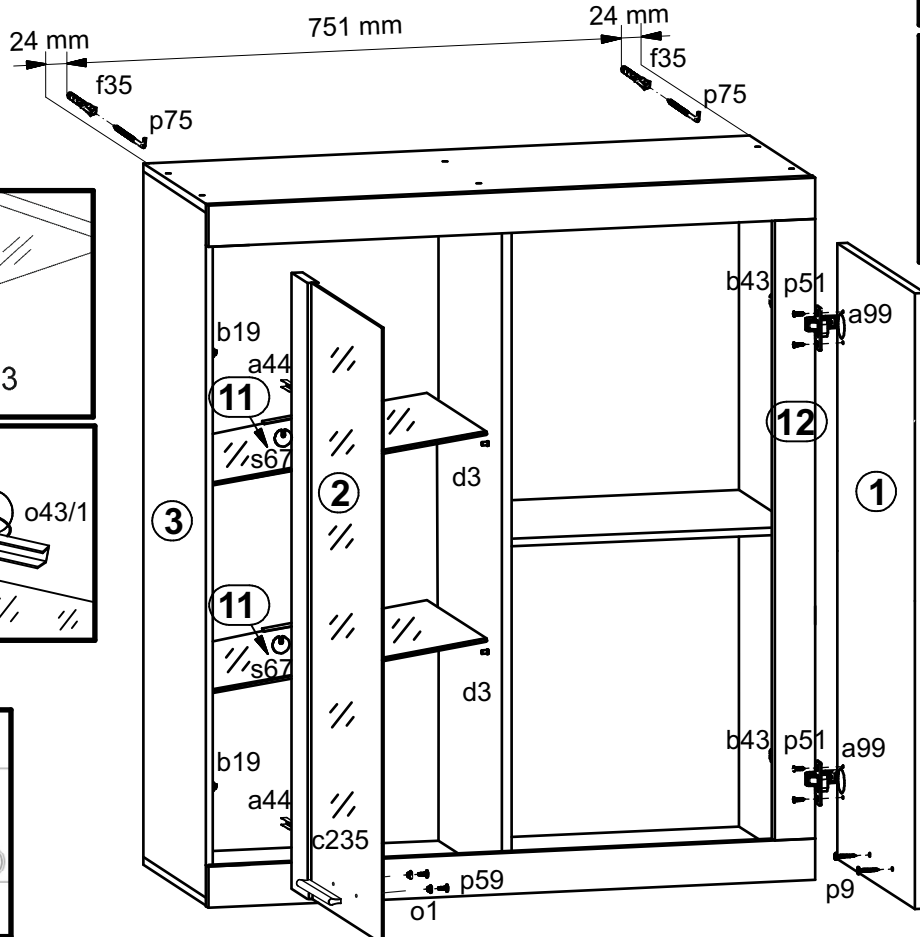
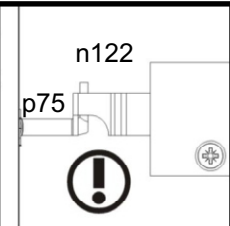
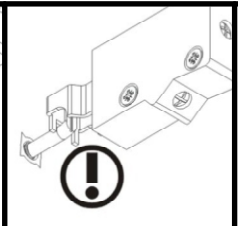
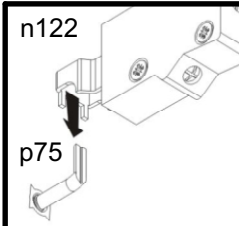
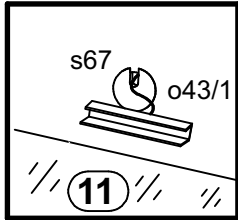
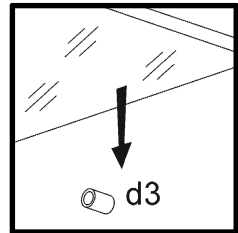
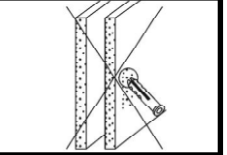
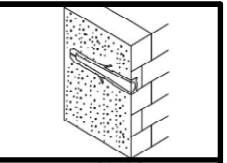
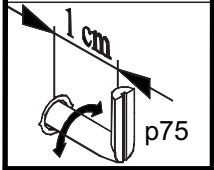
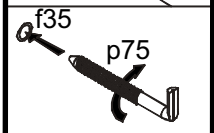
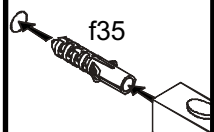
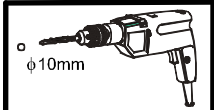
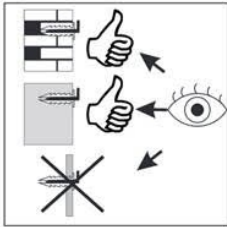
18

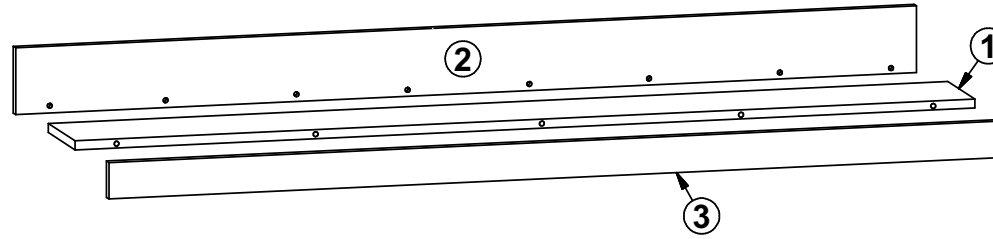


19



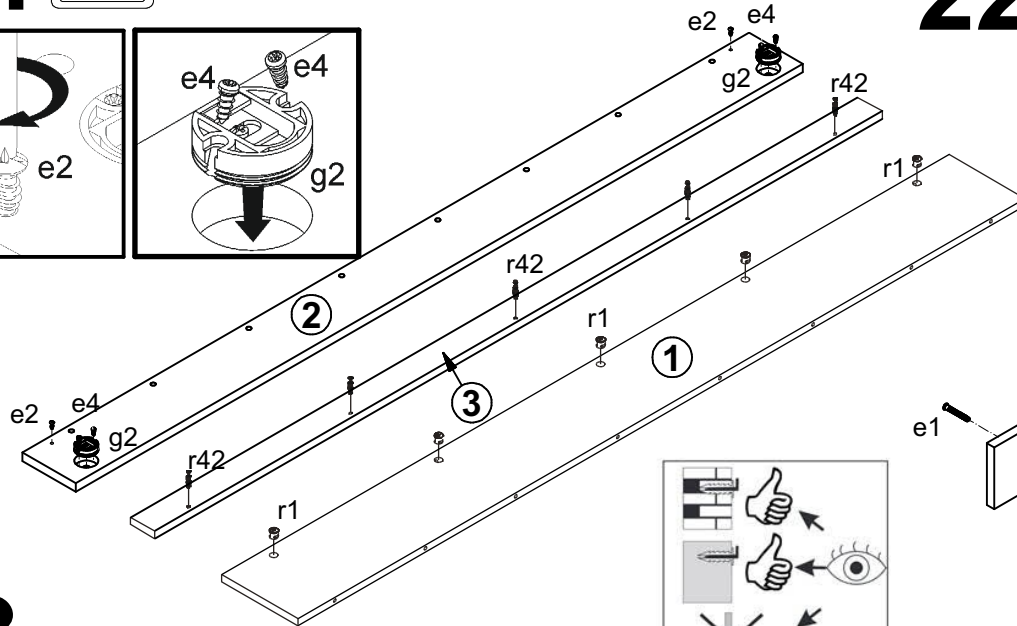
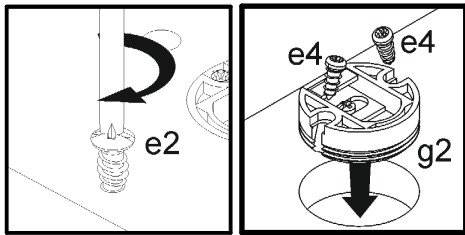
20



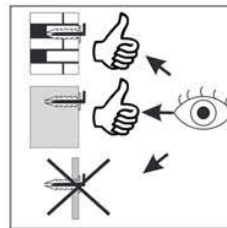
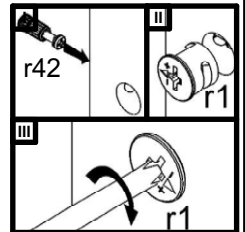
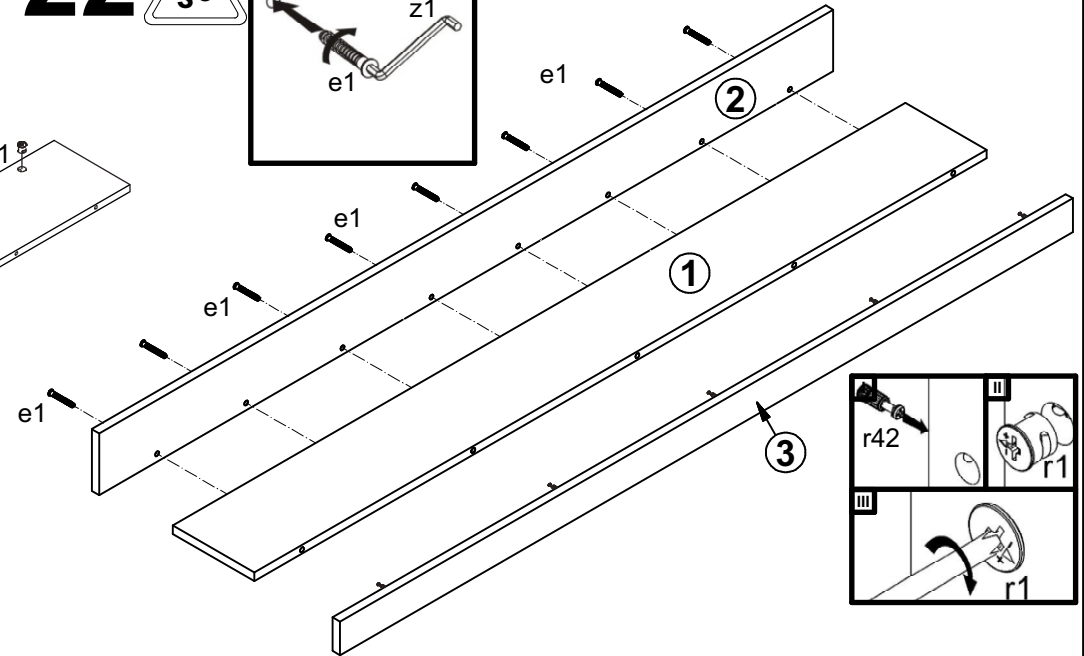
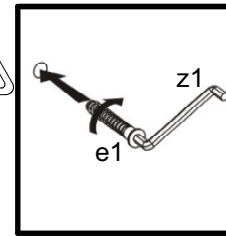


A	B	C (mm)		D
1	N17-306	1500	158	2/4
2	N17-509	1500	108	2/4
3	N17-510	1500	60	2/4

21



22



23

